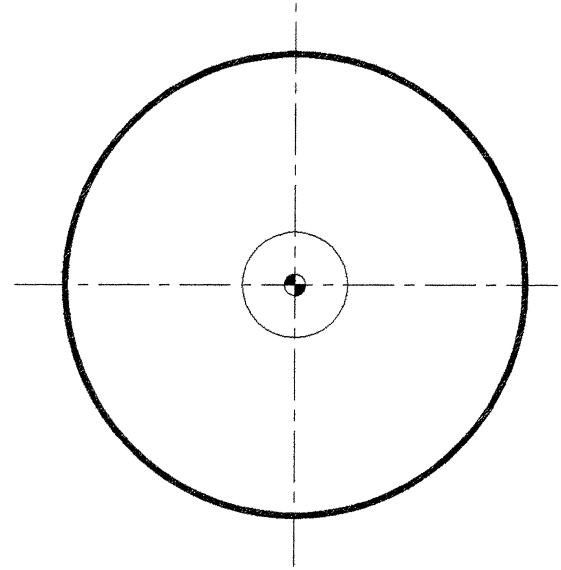
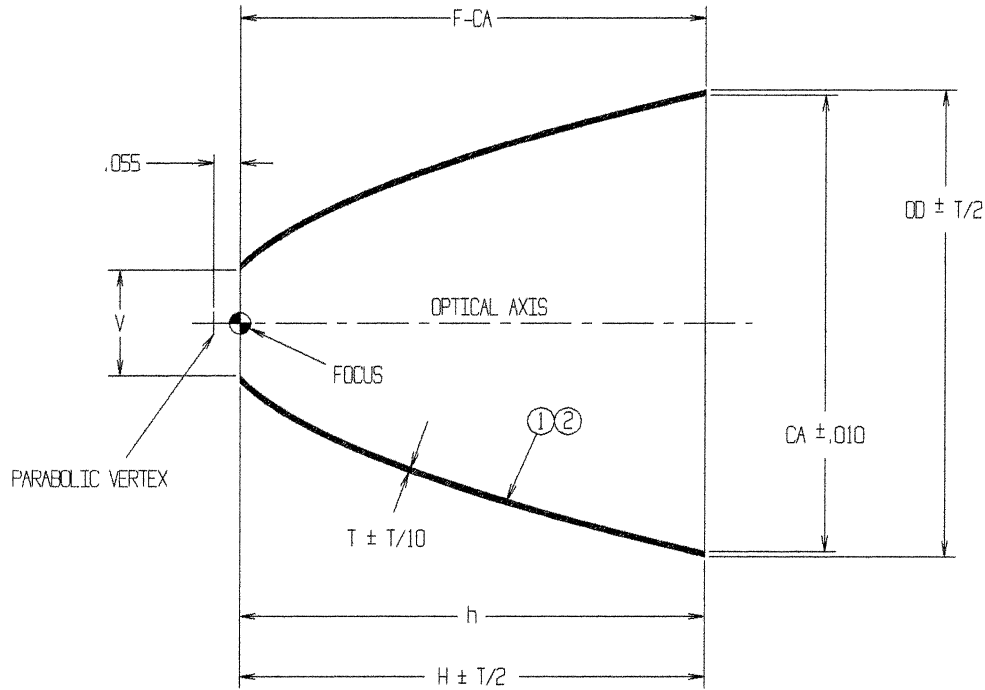


ALL CONCEPTS CONTAINED WITHIN THIS DRAWING ARE PROPRIETARY TO PHOENIX ELECTROFORMED PRODUCTS, INC.
AND MAY NOT BE CONVEYED TO THIRD PARTIES WITHOUT WRITTEN CONSENT

REVISIONS				
ZONE	REV	DESCRIPTION	DATE	APPROVED



NOTE: P= VERTEX APERTURE PARALLEL TO OPTICAL AXIS
NOTE: FP= VERTEX APERTURE PARALLEL TO FOCAL PLANE

.05	.220	1.500	1.540	2.502	2.502	.020	2.502	FP
.04	.400	1.500	1.540	2.415	2.375	.020	2.502	P
.03	.220	1.073	1.103	1.251	1.251	.015	1.251	FP
.02	.236	.705	.726	.501	.501	.010	.501	FP
.01	.220	.705	.726	.510	.510	.010	.510	FP
#	V	CA	OD	H	h	T	F-CA	NOTE

- ① SURFACE FINISH 80-50 SCRATCH-DIG PER MIL-D-13830A
- ② AVAILABLE REFLECTIVE ENHANCEMENT COATINGS:
AU ELECTRO-DEPOSITED GOLD
AF VACUUM DEPOSITED ALUMINUM / MAGNESIUM FLUORIDE (MgF₂) OVERCOAT
AD VACUUM DEPOSITED ALUMINUM / QUARTZ (SiO₂) OVERCOAT
RH ELECTRO-DEPOSITED BRIGHT RHODIUM

PARABOLIC EQUATION
 $Y^2 = 4FX$ $f = .055$

<small>UNLESS OTHERWISE SPECIFIED DIMENSIONS ARE IN INCHES TOLERANCES ARE FRACTIONS DECIMALS ANGLES</small> <small>±1/16 ±.015 ±1/2 DEG</small>	<small>MATERIAL</small> ELECTROFORMED NICKEL		PHOENIX ELECTROFORMED PRODUCTS, INC.	
	<small>CONTRACT NO.</small>			
<small>FINISH</small> 63 ✓ <small>UNLESS OTHERWISE SPECIFIED</small>	<small>APPROVALS</small>		<small>DATE</small> 1-6-11	
<small>DO NOT SCALE DRAWING</small>	<small>DRAWN</small> LB	<small>CHECKED</small>	<small>SIZE</small> <small>CAGE CODE</small> <small>DWG NO</small> PA12 <small>REV</small>	
	<small>ENGR</small>	<small>DESIGN ACTIVITY</small>	<small>SCALE</small> <small>SHEET</small>	